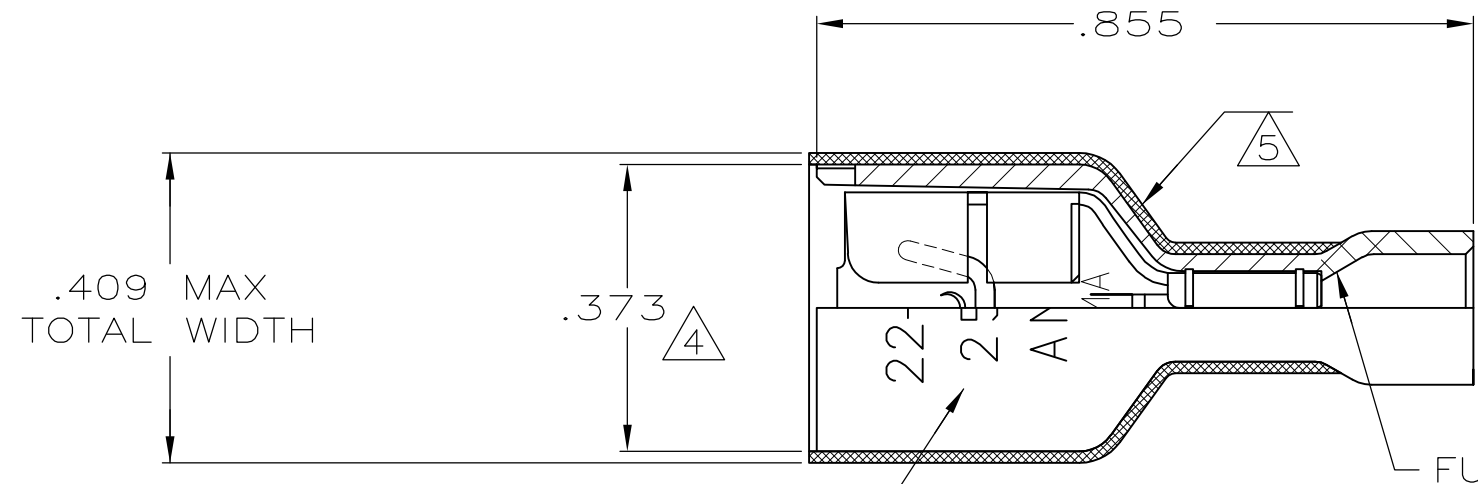


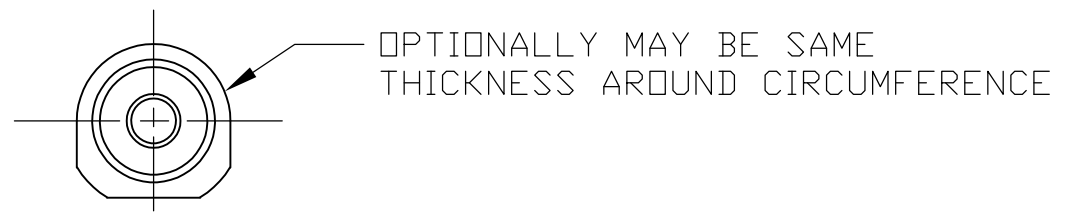
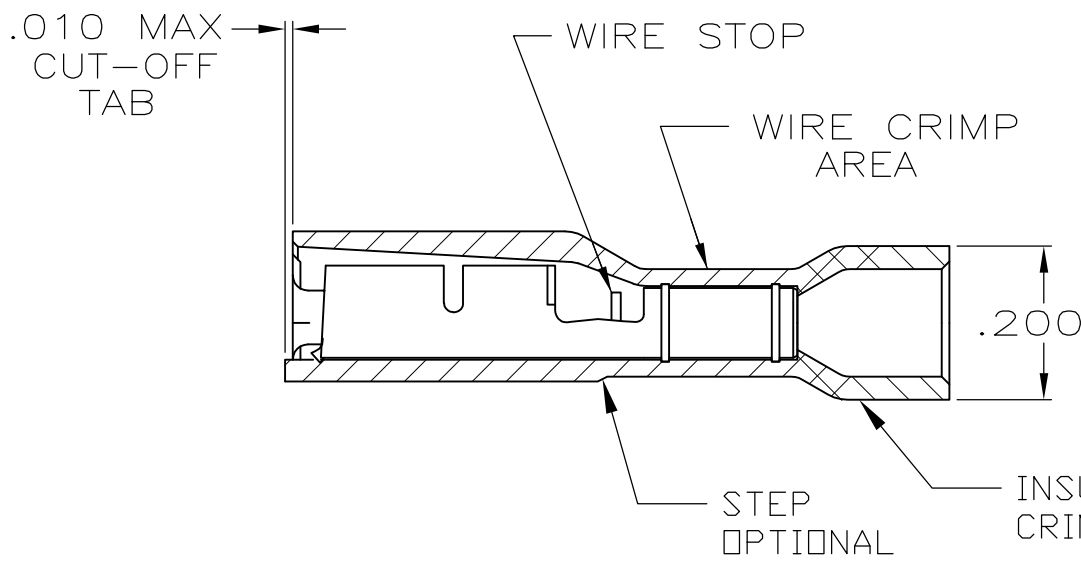
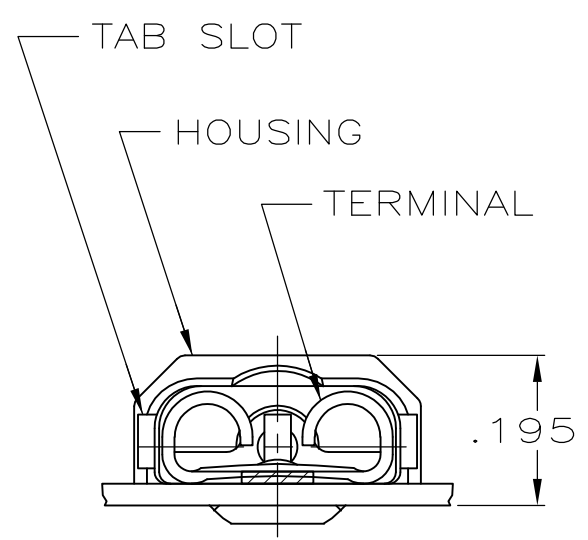
THIS DRAWING IS UNPUBLISHED. RELEASED FOR PUBLICATION
 © COPYRIGHT - By - ALL RIGHTS RESERVED.

LOC	DIST	REVISIONS			
P	LTR	DESCRIPTION	DATE	DWN	APVD
AF	50	K1	REVISED PER ECO-15-008427	08JUN15	JR DH



- 1 MATES WITH .032±.001x.250 TAB
- 2 WIRE STRIP LENGTH .281
- 3 INSULATION SIZE .060-.135 DIA
- 4 DIMENSION DOES NOT INCLUDE TRIM BURR
- 5 .015 MAX CARRIER TRIM BURR PER SIDE IS ALLOWABLE IN THE SHADED AREA

WIRE AND RECEPTACLE SIZE IDENTIFICATION { 22-18 AWG, 250 AMP



HOUSING: NYLON, COLOR-RED TRANSLUCENT	2-520407-2
RECEPTACLE: BRASS, TIN	
MATERIAL & FINISH	PART NO

THIS DRAWING IS A CONTROLLED DOCUMENT.		DWN P FORTNEY 10/27/88	TE Connectivity RECEPTACLE ASSY, ULTRA-FAST PLUS, LOOSE PIECE, .250 SERIES, 22-18 AWG			
DIMENSIONS: INCHES		CHK MS FEHER 11/3/88				NAME
TOLERANCES UNLESS OTHERWISE SPECIFIED:		APVD K RANDOLPH 11/4/88				PRODUCT SPEC
0 PLC ± - 1 PLC ± - 2 PLC ± - 3 PLC ± .015 4 PLC ANGLES ± -		APPLICATION SPEC				RESTRICTED TO
MATERIAL SEE TABLE	FINISH SEE TABLE	108-2044	SIZE	CAGE CODE	DRAWING NO	
		114-2123	A3	00779	C-520407	
		CUSTOMER DRAWING	WEIGHT -	SCALE 4:1	SHEET 1 OF 1	
					REV K1	